



SIZWE SECHABA
HOLDINGS

SIZWE SECHABA HOLDINGS
COMPANY PROFILE

2 0 2 6

ABOUT US

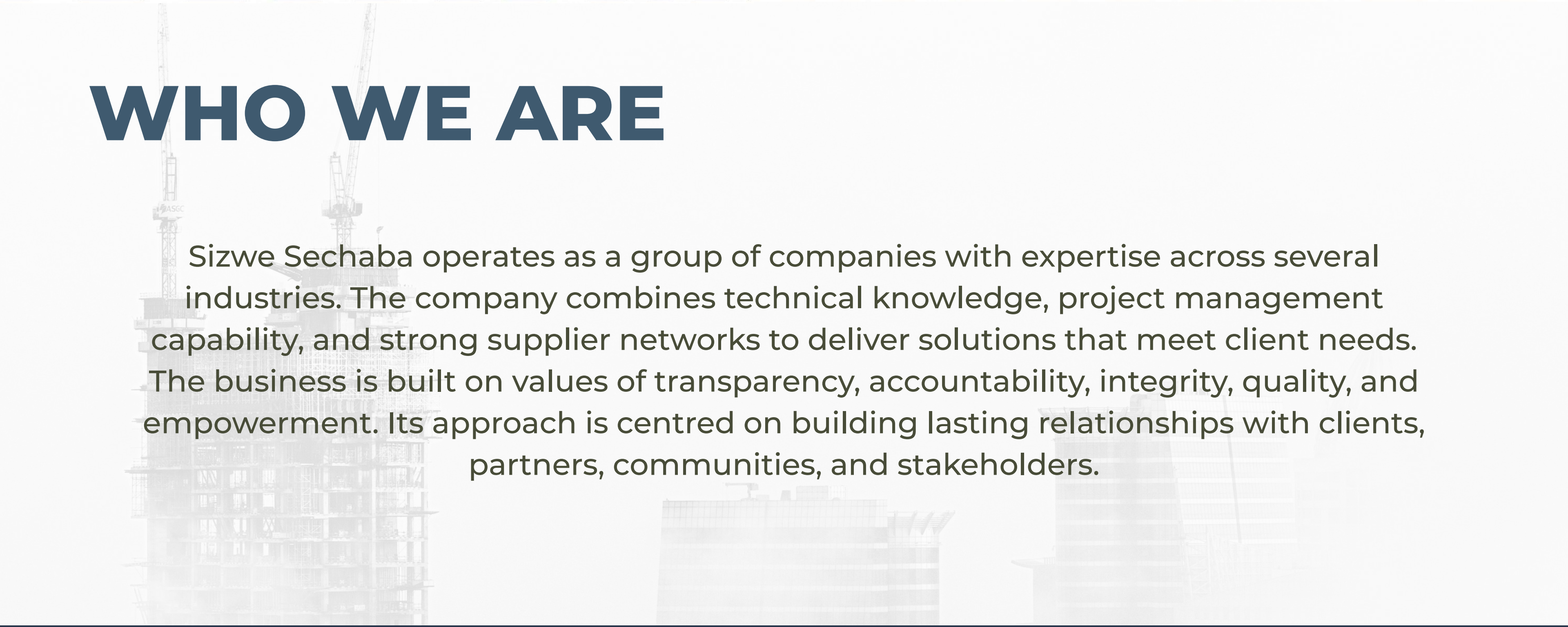
Sizwe Sechaba is a diversified South African company focused on delivering practical, high-quality solutions across key sectors including construction, energy, ICT and training, mining, steel and engineering, and supply chain management. The company is driven by a commitment to empowerment, sustainable partnerships, service excellence, and reliable project delivery.

Through its multi-disciplinary approach, Sizwe Sechaba supports both public and private sector clients by offering industry-focused expertise and innovative solutions. The company aims to contribute to economic transformation, infrastructure development, skills growth, and long-term value creation in South Africa and beyond.





WHO WE ARE



Sizwe Sechaba operates as a group of companies with expertise across several industries. The company combines technical knowledge, project management capability, and strong supplier networks to deliver solutions that meet client needs. The business is built on values of transparency, accountability, integrity, quality, and empowerment. Its approach is centred on building lasting relationships with clients, partners, communities, and stakeholders.

Our Mission & Vision



Our mission is to empower people, build sustainable business relationships, deliver quality services, and create consistent value for our clients and stakeholders. Sizwe Sechaba is committed to supporting transformation, socio-economic development, and sustainable growth through every project it undertakes.



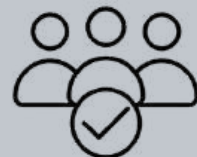
To become a trusted and respected South African partner in construction, energy, ICT, mining, engineering, and supply chain solutions by delivering reliable, innovative, and sustainable services that contribute to national development and business growth.

OUR VALUES

SIZWE SECHABA IS GUIDED BY THE FOLLOWING CORE VALUES:



Integrity — We conduct our business honestly, responsibly, and ethically.



Accountability — We take ownership of our work and remain responsible to our clients and stakeholders.



Partnership — We build long-term relationships based on trust, collaboration, and mutual success.



Quality — We are committed to delivering high standards in every project and service.



Empowerment — We support skills development, transformation, and opportunities for previously disadvantaged communities.



Innovation — We seek practical and modern solutions that improve efficiency and project outcomes.

OUR DIVISIONS



Construction



Energy



ICT & Training



Mining



**Steel &
Engineering**



Supply Chain



SIZWE SECHABA

CONSTRUCTION



Sizwe Sechaba provides construction and infrastructure-related services for public and private sector clients. The company's construction capabilities include general building, civil works, road construction, water and sanitation projects, electrical works, modular buildings, and alternative building solutions.

The construction division focuses on reliable project delivery, quality workmanship, safety, and practical solutions that support infrastructure development.



SIZWE SECHABA

ENERGY



The energy division focuses on renewable energy and turnkey energy solutions. Services include design, engineering, procurement, construction, commissioning, and support for solar and related energy projects.

Sizwe Sechaba's energy offering includes solar photovoltaic systems, inverters, transformers, switchgear, grid connection, substations, SCADA systems, fibre infrastructure, and other supporting energy project components.



SIZWE SECHABA

ICT & TRAINING



Sizwe Sechaba provides ICT and training solutions aimed at helping organisations improve their business systems, processes, and employee skills. Services include software implementation, business requirements analysis, end-user training, learning solutions, change management, process improvement, and post-implementation support. The division supports businesses by helping them adopt technology effectively while ensuring that staff are trained and equipped to use new systems.



SIZWE SECHABA

MINING



The mining division provides services across mining development and project support. This includes identifying mining opportunities, supporting acquisition of mining and prospecting rights, feasibility studies, environmental approvals, project development, engineering support, funding facilitation, procurement, construction management, commissioning, and plant support. The company's mining focus includes minerals such as manganese, coal, chrome, iron ore, platinum group metals, and related resources



SIZWE SECHABA

STEEL & ENGINEERING

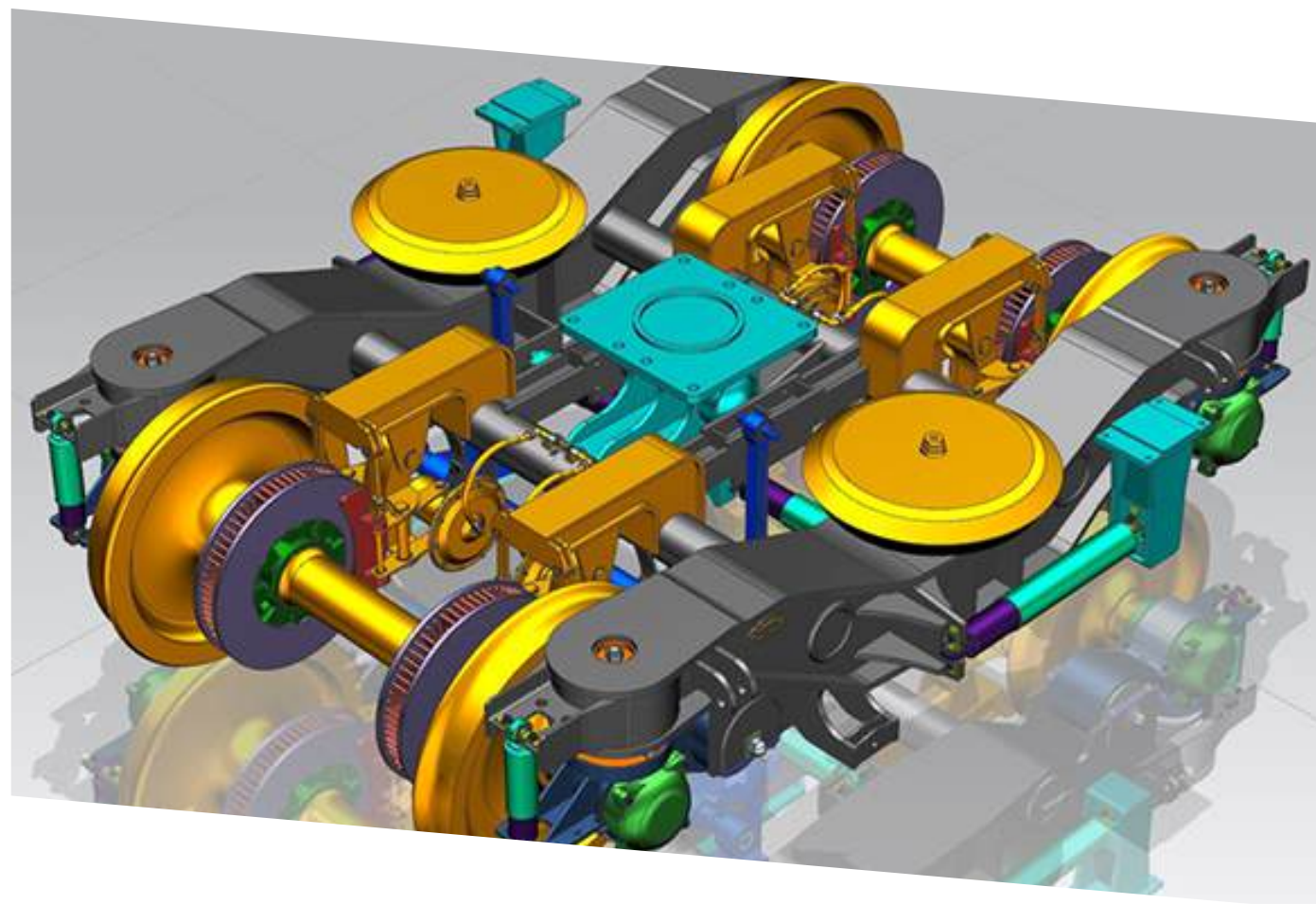


Sizwe Sechaba offers steel fabrication and engineering services for industrial, rail, military, locomotive, and custom fabrication markets. Services include structural steel work, CNC waterjet and plasma cutting, laser cutting, bending, rolling, machining, liner plate services, and fabrication of specialised components. The engineering division supports clients that require precision, durability, and technical expertise in steel and mechanical solutions.



SIZWE SECHABA

SUPPLY CHAIN



The supply chain division provides a wide range of industrial, construction, agricultural, electrical, and safety-related products. These include welding consumables, personal protective equipment, tools, power tools, construction materials, electrical goods, agricultural products, irrigation spares, and logistics support.

Sizwe Sechaba works with recognised brands and suppliers to support businesses with reliable access to essential products and materials.



OUR APPROACH

At Sizwe Sechaba, we follow a client-focused and results-driven approach. We begin by understanding the client's needs, project objectives, budget, and timelines. From there, we develop practical solutions that are suitable, sustainable, and aligned with project requirements.

Our approach includes careful planning, technical assessment, procurement, implementation, project management, quality control, and post-project support where required.

We believe that successful delivery depends on communication, accountability, and strong execution from beginning to end.

WHY CHOOSE SIZWE SECHABA?

Sizwe Sechaba is a reliable partner for clients who require professional, multi-disciplinary solutions delivered with commitment and integrity.

1. Strong multi-sector capability

2. Practical and cost-effective solutions

3. Reliable project delivery

4. Experienced and committed teams

5. Strong supplier and industry networks

6. A focus on empowerment and transformation

7. Quality-driven service standards

8. Long-term partnership approach



QUALITY, SAFETY AND SUSTAINABILITY

Quality and safety are central to the way we operate. We aim to deliver services that meet industry standards, client expectations, and regulatory requirements.

We also recognise the importance of sustainability in modern business. Through our renewable energy solutions, responsible project practices, and long-term partnerships, we aim to contribute to a more sustainable future.

CONCLUSION



Sizwe Sechaba Holdings is a dynamic South African company built on service excellence, transformation, and reliable delivery. With capabilities across construction, energy, ICT, mining, engineering, and supply chain management, we are well positioned to support clients with integrated solutions that create lasting value.

Our goal is to build strong partnerships, deliver quality results, and contribute meaningfully to the growth and development of South Africa.

GET IN TOUCH WITH US :



brianb@sizwesechaba.co.za



+27 83 625 3909
+27 10 001 0632



www.sizwesechaba.co.za



abigailb@sizwesechaba.co.za



+27 83236 4264
+27 10 001 0632



www.sizwesechaba.co.za



gideon@sizwesechaba.co.za



+27 10 001 0632



www.sizwesechaba.co.za



THANK YOU.